

**DENSO**

Passport Scanner

**NEW**

**FC1-Q0PU**



*Check-in made convenient*

*Quick and secure passport scanning!*



Quality products for even longer service life

Good products are worth for longer product life.  
Denso Wave offers long-term product supply.  
We promise maintenance service even 5 years after sales termination.



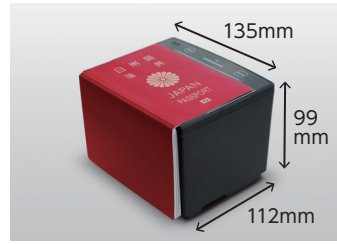
### Convenient passport scanning.

Display reads both text and images all at once, making passport scanning quick and easy. This simplifies set-up and operation for beginners and is ideal for hotel check-in.



### Versatile scanning performance.

FC1-QOPU offers a wide range of scanning capability, reading both printed barcodes and QR Codes as well as on digital displays.



### Smallest size in industry.

Scanning display is nearly equal to an opened passport page and also uses a USB connection for charging, making for effective installation on self-check-in kiosk terminals and countertops.



### Ready for easy set-up tool.

"Scanner Setting OCR" allows users to adjust volume settings and select QR code types. Users can also set up multiple FC1 scanners quickly by creating and scanning a "setting QR code" with each unit.

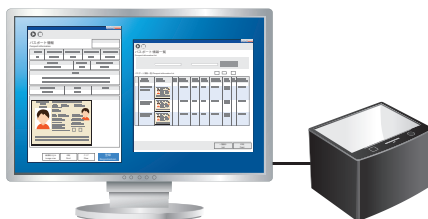
Specifications			
Type	Stationary type		
Model	FC1-QOPU		
Scanner	Scanner functions	Readable code	Machine-readable passports (MRP) conforming to ICAO recommendation Doc 9303 Part 1 Volume 1 (passport OCR 44 characters × 2 lines), Machine-readable visa format A (MRV-A) conforming to ICAO recommendation Doc 9303 Part 2 (full-size visa OCR 44 characters × 2 lines)
		OCR	QR codes, micro QR codes, SQRC, PDF417, micro PDF, Aztec, GS1 Composite
	Minimum resolution	2D codes	QR codes, micro QR codes, SQRC, PDF417, micro PDF, Aztec, GS1 Composite
		Barcodes	EAN-13/-8 (JAN-13/-8), UPC-A/E, UPC/EAN (with add-on), Interleaved 2 of 5 (ITF), Standard 2 of 5 (STF), CODABAR (NW-7), CODE39, CODE93, CODE128, GS1-128 (EAN-128), GS1 DataBar (RSS)
	Scanning field of view	2D codes	0.25mm
		Barcodes	0.18mm
	Scanning distance		85mm×55mm
Scan confirmation		0~5mm *1	
Communication interface	Scan confirmation		Blue LED + speaker
	Method	USB 2.0 compliant	
		USB-COM, HID *2	
	Connector type	USB Mini-B connector	
Cable	Available accessory		
Power supply	Power supply	Power supplied from connected device *3	
Environmental performance	Security level	IPX2	
	Operating temperature	0~50° C	
	Operating humidity	10 to 90 %RH (no condensation or freezing)	
Dimensions	135(W)×112(D)×99(H)mm		
Weight	315 g (not including cable)		

\*1 Height above dust protection plate when scanning OCR-B font text, barcodes, and 2D codes

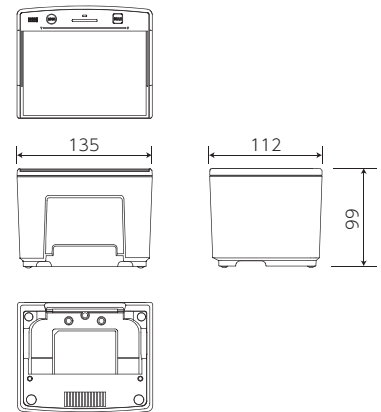
\*2 Supports USB keyboard interface and USB-COM interface.

The USB driver must be downloaded (free of charge) from the Denso Wave website before use in USB-COM interface mode.

\*3 Connections may not be possible with some PCs or USB hubs. Check the connection before commencing use.



### Dimensional diagram Units: mm (All dimensions are provided for reference.)



### Set contents

- Scanner
  - User guide
  - Instruction manual [HP↓](#)
- \*USB cable is excluded

### Software

- USB driver (Active USB-COM Port Driver) [HP↓](#)
- Setup software (Scanner Setting OCR) [HP↓](#)
- SQRC scanning setup software (SQRC Setting)
- Keyboard emulation software (QR\_kbif) [HP↓](#)
- Passport image storage app (Passport Image Scan App)
- Passport image storage library (Passport Image Scan Lib) [HP↓](#)

[HP↓](#) Items marked with this symbol can be downloaded free of charge from the Denso Wave website (QBdirect).

Product appearance and specifications are subject to change without notice to allow product improvements. The information provided in this catalog is correct as of September 2017.

Inquiries: